



# Getac V110 Docking Station

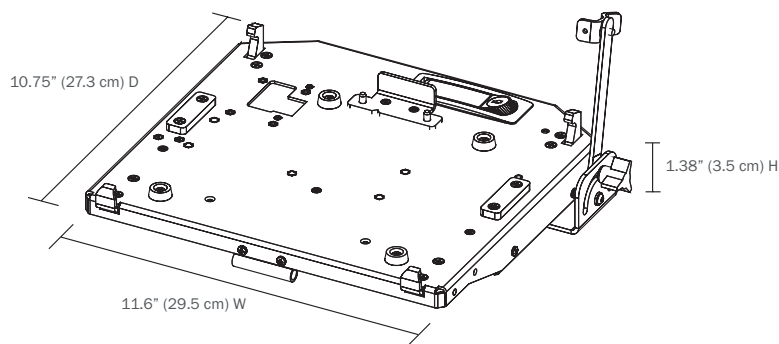
Engineered for the demanding work environments in utility, public safety, and field service applications.

## Secure your notebook in place

The Getac V110 docking station comes with an optional triple RF (SMA) and Lind power supply. The dock can be rotated for use in either tablet or laptop position offering more flexibility to your mobile office. The front safety bracket is designed to help align your computer making it easier to dock and undock your computer.

## Certificates & testing

The V110 dock is designed and tested to rugged environmental standards. It has passed MIL-STD-810G shock/vibration, RoHS, SAE Standard J1455 crash test.



Dimensions: 1.38" (3.5 cm) H x 11.6" (29.5 cm) W x 10.75" (27.3 cm) D  
Weight: 3.8 (1.72 kg) lbs.

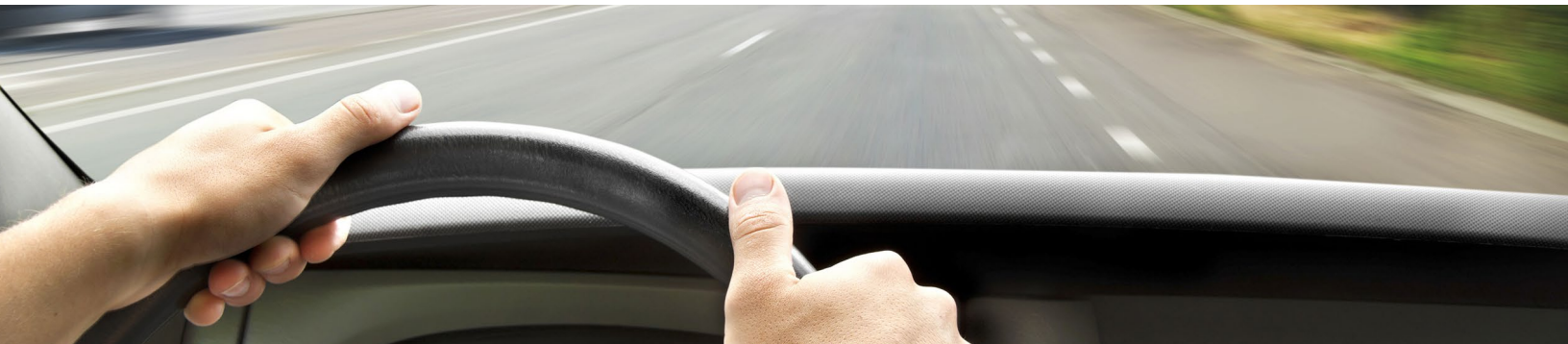
## Features

- Compatible with Getac V110 convertible computer.
- Can be used in tablet or laptop position.
- Rugged aluminum construction with black powder coat finish for long-term durability.
- Front safety bracket helps align computer for proper connectivity.
- Front-facing I/O ports, integrated cable strain relief system.
- POGO pin style docking connector for easy docking activation
- Built-in stylus holder.
- Push button latch with keyed lock for theft deterrence:
  - Push the latch.
  - Insert computer and push latch closed to secure computer.
- Use external power supply: Lind Auto Adapter (item no. 15110).
- Screen support is included with the dock.
- **3 year limited lifetime warranty.**



## Product number

- 7160-0515-00 no RF
- 7160-0515-03 with Tri-RF (SMA)
- 7170-0242 no RF with Lind power supply
- 7170-0243 with Tri-RF and Lind power supply



# Getac V110 Docking Station

## Port Replication

- Ethernet (1) RJ45
- USB (4)
  - 2.0 (3) 4 pin
  - 3.0 (1) 9 pin
- Serial (2) D-sub 9 pin
- Video (2)
  - VGA D-sub 15 pin
  - HDMI 19 pin
- Headphones/Speakers Stereo phono jack
- Microphone Mono phono jack
- Triple RF Pass-through (optional) SMA
- Power In

